

SINGER

8100/8200

Supplement 2 - 173745-072

62-33-61

SINGER

SINGER FACTORY

· MONZA ·

Sewing Machines Series

Supplemental List of Parts:

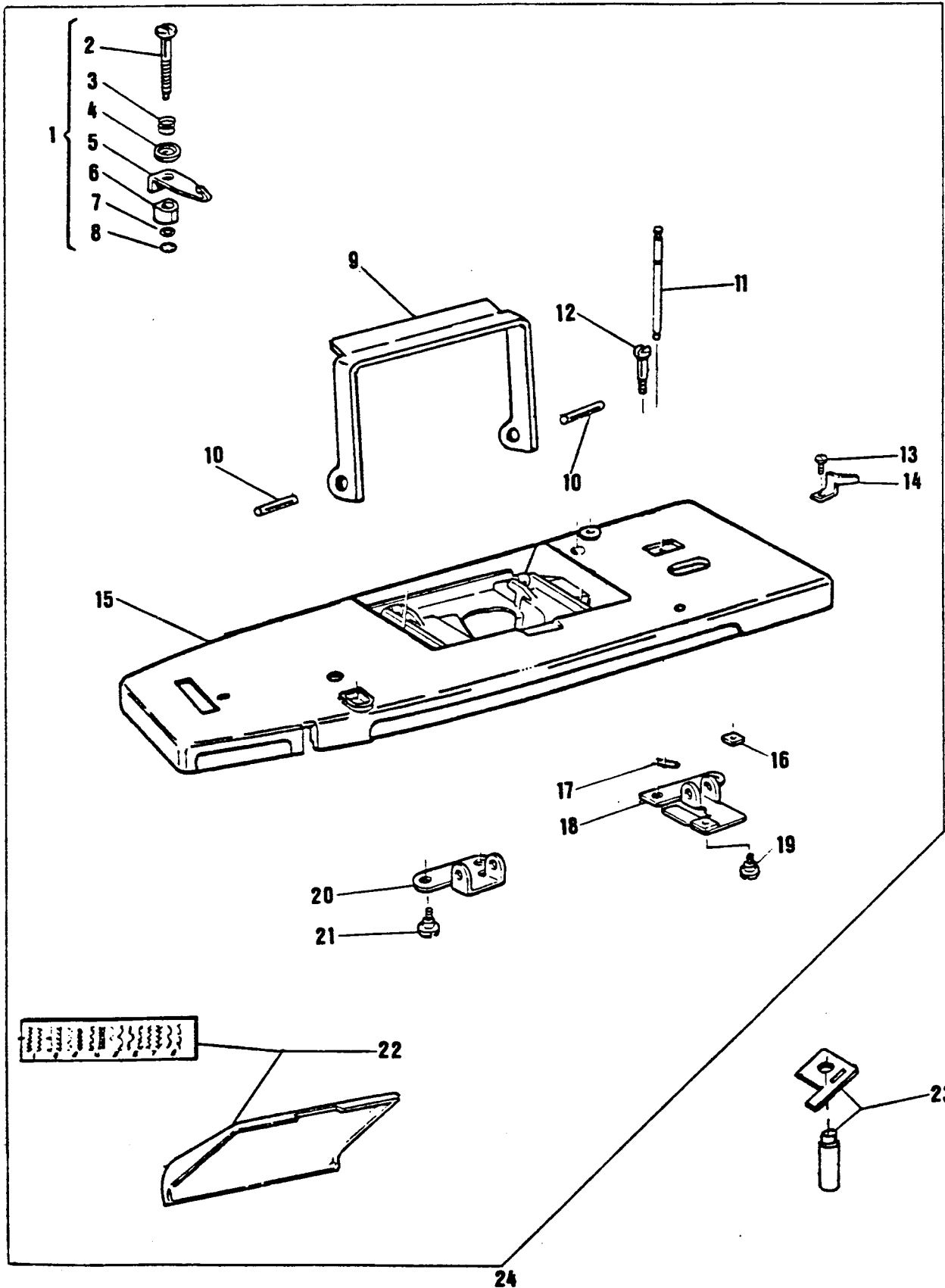
8100 - 8200

• This List of Parts must be used in conjunction with Form 1005

• Copyright © 1984 THE SINGER COMPANY
All Rights Reserved Throughout the World

• A Trademark of THE SINGER COMPANY

8100/8200 series



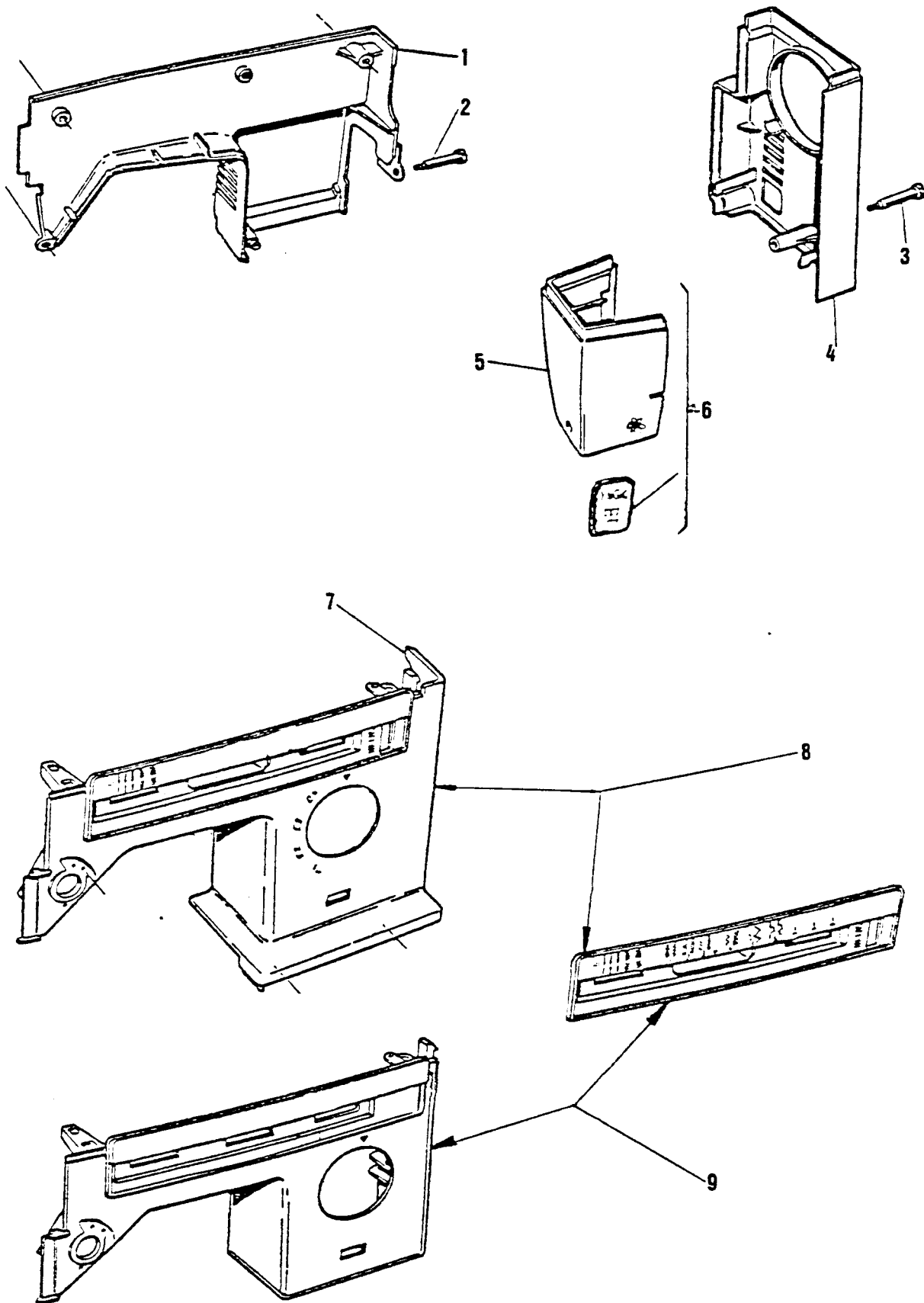
From the library of: Diamond Needle Corp

LIST OF PARTS FOR MACHINES 8100/8200 SERIES

REF. N.	PART. N.	8109	8209	8214	8222	8234	8134	PART DESCRIPTION
1	422069-451	X	X	X	X	X	X	Bobbin winder tension cpl.
2	44751	X	X	X	X	X	X	Bobbin winder tension stud
3	45847	X	X	X	X	X	X	Bobbin winder tension disc spring
4	45915	X	X	X	X	X	X	Tension disc.
5	319717	X	X	X	X	X	X	Tension bracket and thread guide
6	44770-459	X	X	X	X	X	X	Tension bracket spacer
7	352732	X	X	X	X	X	X	Tension stud washer
8	44449	X	X	X	X	X	X	Tension stud retaining ring
9	447502	X	X	X	X	X	X	Machine handle
10	447503	X	X	X	X	X	X	Machine handle hinge pin
11	44998-452	X	X	X	X	X	X	Arm top cover spool pin (retractable)
12	141788	X	X	X	X	X	X	Arm top cover screw
13	141808	X	X	X	X	X	X	Bobbin winder stop screw
14	44365	X	X	X	X	X	X	Bobbin winder stop
15	447514-900	X	X	X	X	X	X	Arm top cover
16	53640	X	X	X	X	X	X	Bobbin winder stop screw nut
17	45000	X	X	X	X	X	X	Arm top cover spool pin retaining
18	352929	X	X	X	X	X	X	Machine handle mounting bracket (right)
19	113418-451	X	X	X	X	X	X	Screw
20	352927	X	X	X	X	X	X	Machine handle mounting bracket (left)
21	113418-451	X	X	X	X	X	X	Screw
22	447512-451	X	X					Arm top cover lid assembly
	447510-451			X				Arm top cover lid assembly
	447508-451				X			Arm top cover lid assembly
	447506-451					X	X	Arm top cover lid assembly
23	447522	X	X	X	X	X	X	Needle stop plate assembly
24	447515-451					X	X	Arm top cover assembly
	447515-452				X			Arm top cover assembly
	447515-453			X				Arm top cover assembly
	447515-454	X	X					Arm top cover assembly
Variety of :		6174	6184	6105	6120	7146	7186	
For parts not listed above refer to part of list :		6174	6184	6120	6120	6120	6120	

From the library of: Diamond Needle Corp

8100/8200 series

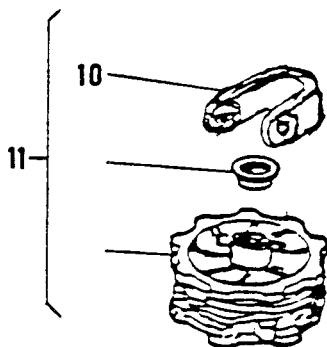
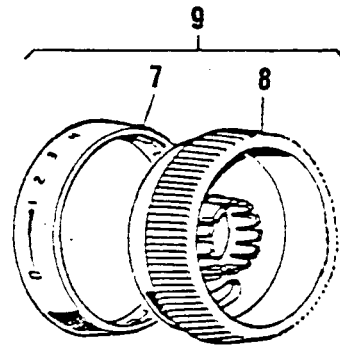
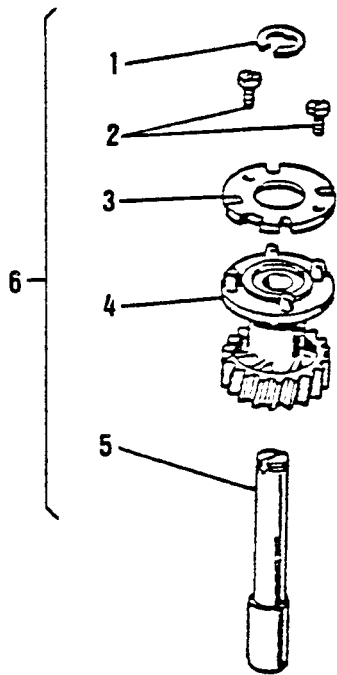


LIST OF PARTS FOR MACHINES 8100/8200 SERIES

REF. N.	PART. N.	8109	8209	8214	8222	8234	8134	PART DESCRIPTION
1	421652-451						X	Arm cover (back)
2	354659-451						X	Arm cover screw (back and front)
3	354655-451						X	Arm cover screw (hand wheel side)
4	421654-451						X	Arm cover (hand wheel side)
5	421653-451	X	X	X	X	X	X	Face plate (blank)
6	447530-451	X	X					Face plate assembly
	447529-451			X				Face plate assembly
	447528-451				X			Face plate assembly
	447526-451					X	X	Face plate assembly
7	422438		X	X	X	X		Arm front cover (blank)
8	447523-451		X					Arm front cover cpl.
	447521-451			X				Arm front cover cpl.
	447519-451				X			Arm front cover cpl.
	447517-451					X		Arm front cover cpl.
9	447524-451	X						Arm front cover cpl.
	447518-451						X	Arm front cover cpl.
Variety of :		6174	6184	6105	6120	7146	7186	
For parts not listed above refer to part of list :		6174	6184	6120	6120	6120	6120	

From the library of: Diamond Needle Corp

8100/8200 series



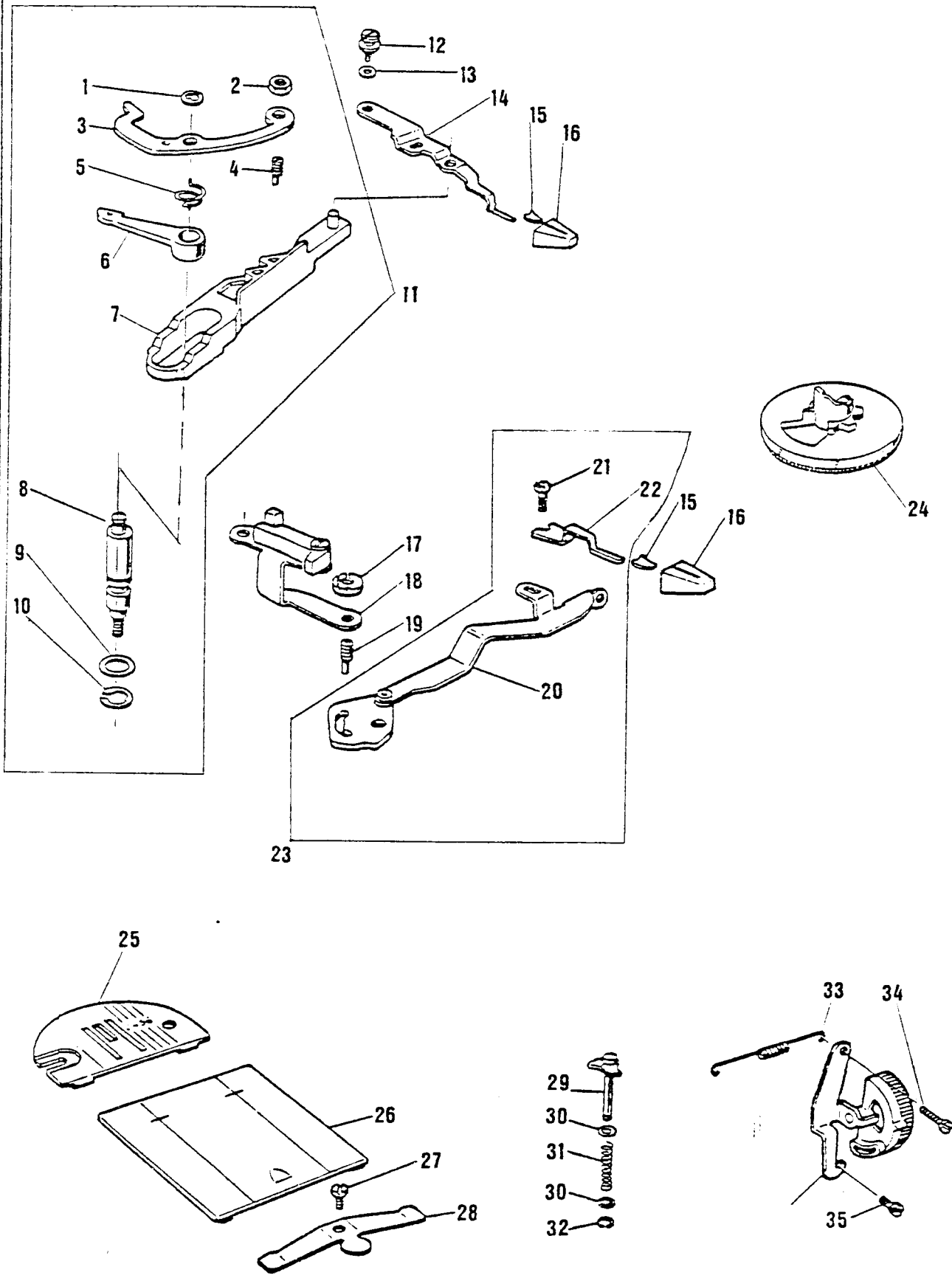
From the library of: Diamond Needle Corp

LIST OF PARTS FOR MACHINES 8100 8200 SERIES

REF. N.	PART. N.	8109	8209	8214	8222	8234	8134	PART DESCRIPTION
1	44730	X	X	X	X	X	X	Retaining ring
2	422440	X	X	X	X	X	X	Disc positioning screw (2)
3	422260	X	X	X	X	X	X	Disc mounting plate
4	447546	X	X	X	X	X	X	Disc driving gear
5	447548	X	X	X	X	X	X	Disc driving gear shaft
6	447549	X	X	X	X	X	X	Disc driving gear compl.
7	421938-452			X				Control dial ring (hot stamped)
	421938-456				X			Control dial ring (hot stamped)
	421935-455					X	X	Control dial ring (hot stamped)
8	421862-451			X	X	X	X	Control dial (plastic colour)
9	422021-455			X				Control dial cpl.
	422021-454				X			Control dial cpl.
	422021-453					X	X	Control dial cpl.
10	447531-451	X	X	X	X	X	X	Disc stack retainer in M/C (White)
	447531-452	X	X	X	X	X	X	Disc stack in attachment (Black)
11	447541-000	X	X					Disc stack " 4 " ass'y in M/C
	447537-001			X				Disc stack " 5 " ass'y in M/C
	447537-000				X			Disc stack " 5 " ass'y in M/C
	447533-000					X	X	Disc stack " 8 " ass'y in M/C
Variety of :		6174	6184	6105	6120	7146	7186	
For parts not listed above refer to part of list :		6174	6184	6120	6120	6120	6120	

From the library of: Diamond Needle Corp

8100/8200 series



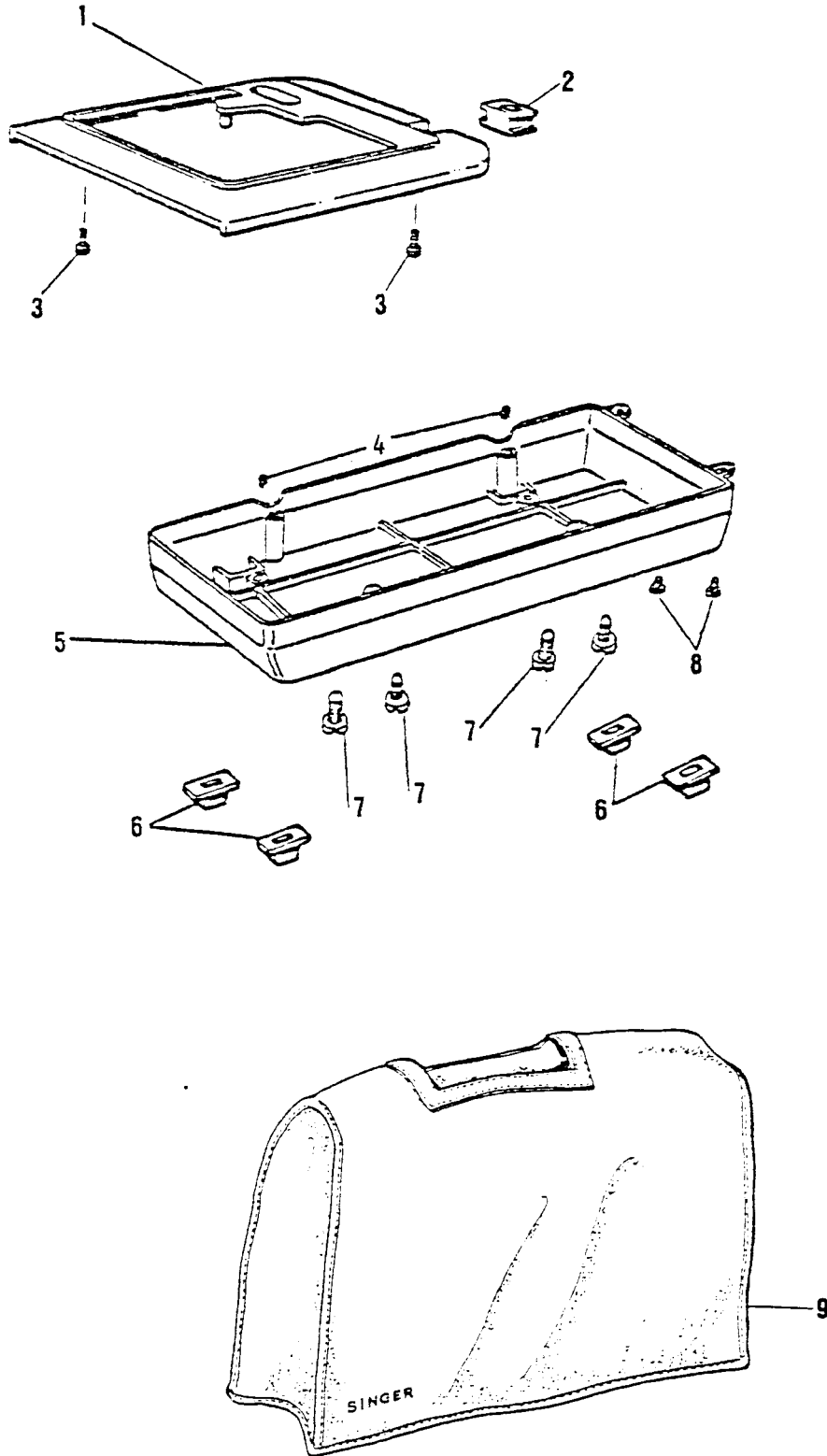
From the library of: Diamond Needle Corp

LIST OF PARTS FOR MACHINES 8100 8200 SERIES

REF. N.	PART. N.	8109	8209	8214	8222	8234	8134	PART DESCRIPTION
1	507063			X				Retaining ring
2	53641			X				Nut
3	422081			X				Disc follower disengaging lever
4	44471			X				Screw stud (eccentric)
5	44419			X				Disc follower positioning spring
6	37262			X				Disc follower
7	422425			X				Disc selector cam slide
8	422426			X				Disc follower stud
9	37276			X				Disc follower washer
10	44371			X				Retaining ring
11	422427			X				Pattern selector lever cpl.
12	141786			X				Hinge screw
13	49204			X				Friction washer
14	421859			X				Disc selector lever
15	37244			X				Control lever knob spring clip
16	421883-451			X				Control lever knob (2) cpl.
17	53641			X				Eccentric screw stud nut
18	319798			X				Slide bracket.
19	44471			X				Eccentric screw stud
20	422075			X				Needle position selector lever cpl.
21	141913			X				Screw
22	422428			X				Needle position lever
23	422431			X				Needle position selector lever cpl.
24	422496-452					X	X	Disc selector dial
25	352461						X	Needle plate
26	44638						X	Bed slide
27	354799						X	Bed slide spring screw
28	37239						X	Bed slide spring
29	353123						X	Retaining plate
30	319737-451						X	Washer
31	353122						X	Spring
32	319736						X	Clip
33	37942			X				Spring
34	139938			X				Screw
35	354084			X				Screw
Variety of :		6174	6184	6105	6120	7146	7186	
For parts not listed above refer to part of list :		6174	6184	6120	6120	6120	6120	

From the library of: Diamond Needle Corp

8100/8200 series



LIST OF PARTS FOR MACHINES 8100-8200 SERIES

REF. N.	PART. N.	8109	8209	8214	8222	8234	8134	PART DESCRIPTION
1	422472-452						X	Bed cover
2	352584-451						X	Grommet
3	139986						X	Bed cover screw (4)
4	141925						X	Machine hinge connection set screw
5	422479-452						X	Bed cover (bottom)
6	352569						X	Bed leg cushion (4)
7	422483						X	Screw (4)
8	139986						X	Screw (2)
9	422249-452	X	X	X	X	X	X	Soft cover
Variety of :		6174	6184	6105	6120	7146	7186	
For parts not listed above refer to part of list :		6174	6184	6120	6120	6120	6120	

From the library of: Diamond Needle Corp

8100/8200 series

1
9-10-12-13
14-15-16-17
18-19-22a

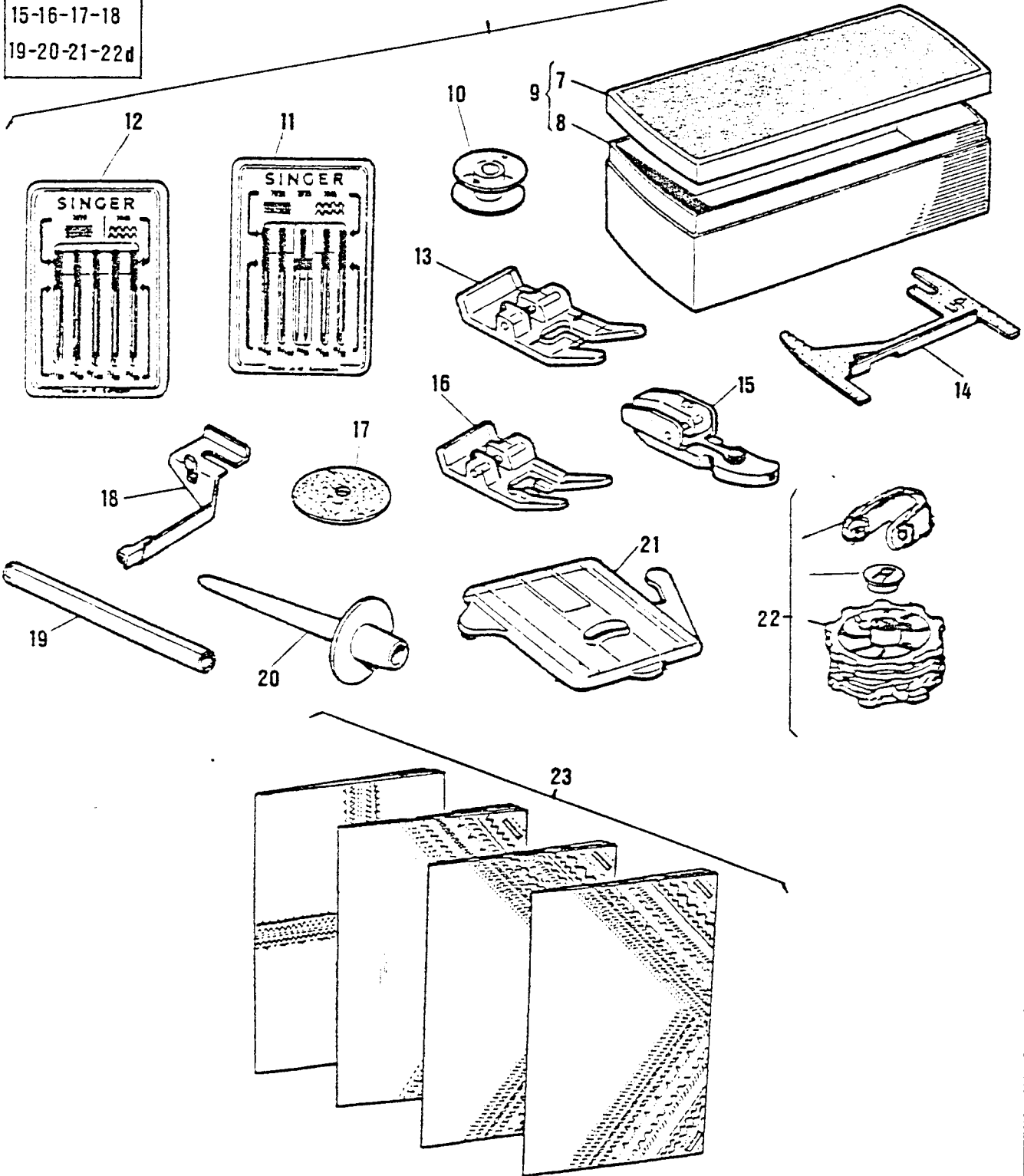
2
9-10-12-13
15-16-17-18
19-21-22a

3
9-10-11-13
15-16-17-18
19-20-21-22b

4
9-10-11-13
15-16-17-18
19-20-21-22c

5
9-10-11-13
14-15-16-17
18-19-20-22c

6
9-10-11-13
15-16-17-18
19-20-21-22d



From the library of: Diamond Needle Corp

LIST OF PARTS FOR MACHINES 8100/8200 SERIES

REF. N.	PART. N.	8109	8209	8214	8222	8234	8134	PART DESCRIPTION
1	422026-931	X						Attachment set cpl.
2	422026-932		X					Attachment set cpl.
3	422026-933				X			Attachment set cpl.
4	422026-934					X		Attachment set cpl.
5	422026-935						X	Attachment set cpl.
6	422026-936			X				Attachment set cpl.
7	421743	X	X	X	X	X	X	Attachment box cover
8	421744	X	X	X	X	X	X	Attachment box base
9	421742-451	X	X	X	X	X	X	Attachment box
10	172336	X	X	X	X	X	X	Bobbin transparent plastic (2)
11	381275			X	X	X	X	Needle pack (plastic) containing : cat. 2020 : size 14 and 16 cat. 2025 : size 14 (Twin needle) cat. 2045 : size 11 and 14
12	103489	X	X					Needle pack (plastic) containing : cat. 2020 : size 11-14-16 cat. 2025 : size 11 and 14
13	161927	X	X	X	X	X	X	Snap-on buttonhole foot
14	161894	X						Needle plate raising plate (shim)
15	507836	X	X	X	X	X	X	Snap-on zipper foot
16	171498	X	X	X	X	X	X	Snap-on special purpose foot
17	8679-454 8879-454	X	X	X	X	X	X	Spool pin felt (2) Spool pin felt (1)
18	381213	X	X	X	X	X	X	Blind stitch guide
19	381800 381800	X	X	X	X	X	X	Spool pin adaptor (2) Spool pin adaptor (1)
20	422250			X	X	X	X	Spool pin adaptor (for twin needle sewing)
21	381459		X	X	X	X		Snap-in feed cover plate
22a	447543-000	X	X					Disc stack "A4 " Ass'y
22b	447539-000				X			Disc stack "A5 " Ass'y
22c	447534-000					X	X	Disc stack "A8 " Ass'y
22d	447539-001			X				Disc stack "A5 " Ass'y
23								Instruction books (see table below)
Variety of :		6174	6184	6105	6120	7146	7186	
For parts not listed above refer to part of list :		6174	6184	6120	6120	6120	6120	

From the library of: Diamond Needle Corp

23) INSTRUCTION BOOKS : Languages - Form N.

Model	Italian	English	German	French	Dutch	Danish	Finnish	Swedish	Spanish	
8109/8209	2001	2001	2001	2003	2004	2002	2002	2002	2005	
8214	2010	2011	2012	2013	2014	2015	2016	2017		
8222	2028	2021	2022	2023	2024	2025	2026	2027		
8134/8234	2031	2031	2031	2033	2034	2032	2032	2032	2035	

MARKETING TERRITORIES (Territory Code)

A (105/115V - 220/240V.)

Aden
Algeria
Angola
Bahrain
Bangladesh
Benin (Dahomey)
Burma
Burundi
Cambodia
Cameroons
Cent. Africa Empire
Chad
Congo (Brazzaville)
Egyptian Arab Republic
Ethiopia
Fiji Islands
Gabon
Gambia
Ghana
Guam
Guinea
Guyana
High Volta
Hong Kong
India
Indonesia
Iran
Iraq
Ivory Coast
Jordan
Kenya
Kuwait
Laos
La Reunion
Lebanon
Liberia
Libya
Malagasy Rep.
Malawi
Malaysia
Mali
Mauritania
Mauritius
Morocco
Mozambique
Niger Repub.
Nigeria
North Yemen
Pakistan
Rhodesia
Saudi Arabia
Senegal
Sierra Leone
Singapore
South Korea
South Yemen
Sri Lanka
Sudan
Syria
Taiwan
Tangiers
Tanzania
Thailand

Togo
Tunisia
Uganda
Upper Volta
Vietnam
Zaire (Kinshasa)
Zambia

B (220V)

South Africa

C (220 or 240V)

New Zealand

D (240V)

Great Britain
(England, Scotland,
Wales).
Malta

E (220V)

Netherlands

F (220V)

Austria
Belgium
Denmark
Finland
Greece
Italy
Switzerland
W. Germany

G (120V)

United States

H (120V + 220V)

Argentina
Bahamas
Barbados
Bermuda
Bolivia
Brazil
British Honduras
Canal Zone
Chile
Colombia
Costa Rica
Ecuador
El Salvador
French West Indies
Guatemala
Honduras Republic
Jamaica
Mexico
Neth. Antilles

Nicaragua
Panama
Paraguay
Peru
Philippines
Puerto Rico
Surinam
Trinidad & Tobago
Venezuela
Virgin Islands
West Indies
(Antigua, Dominica,
Grenada, Montserrat,
St. Christopher, Nevis
Anguilla, St. Lucia,
St. Vincent, St. Kitts).

J 127/220V)

Belgium Bi-Volt
W. Germany Bi-Volt

K (240V)

Australia

L (220V)

Norway

M (105V)

Japan

N 127/220V)

France Bi-Volt
Non mandatory
countries Bi-Volt.

O Canada (120V)

P (220V)

Albania
France
Gibraltar
Iceland
Israel
Jugoslavia
Luxembourg
Monaco
Portugal
Spain
Turkey

Q (240V)

Cyprus

R (220V)

Sweden

S (220V)

Eire